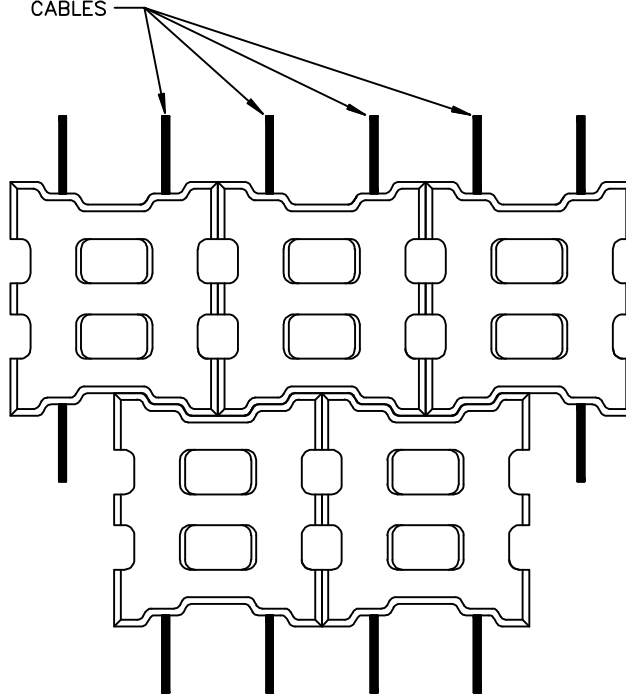
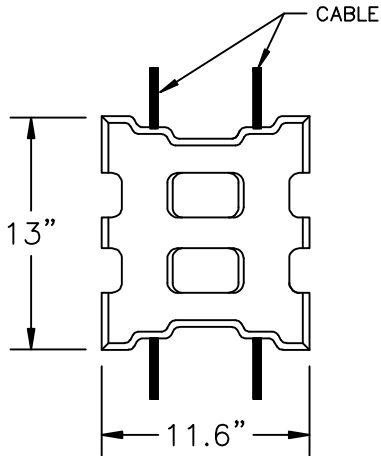


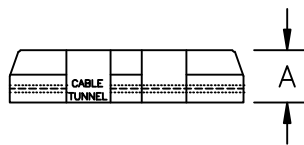
LONGITUDINAL
CABLES



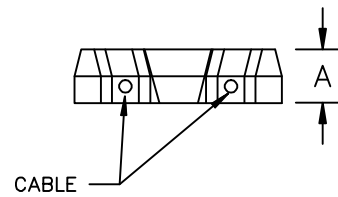
PLAN



TOP VIEW



SIDE VIEW



END VIEW

UNIT THICKNESS "A"	
CLASS 30S	4.75"

DRAWN BY:	CHECKED BY:	DATE:	SCALE:
KWM	CBK	7/14/07	NTS

ARMORFLEX
STANDARD DETAIL
 (Class 30S Flat-Top Unit
 Dimensions)

ARMORTEC
Erosion Control Solutions
 A CORTEC COMPANY
 9085 CENTRE POINTE DR., SUITE 400
 WEST CHESTER, OHIO 45380
 PH: (513) 646-7000 FAX: (513) 646-7000