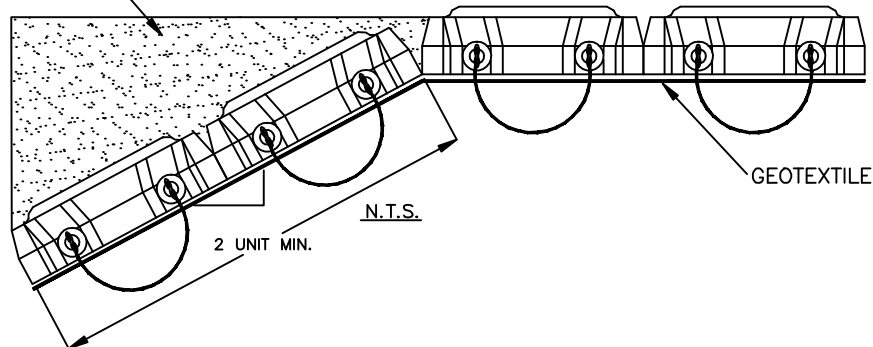


PLAN

TYPICAL ARMORFLEX MAT

NOT TO SCALE

BACKFILL WITH
NON-ERODIBLE
MATERIAL



DRAWN BY:	CHECKED BY:	DATE:	SCALE:
KWM	CBK	7/14/07	NTS

ARMORFLEX
STANDARD DETAIL
(L-Class Open Cell Flank Detail)

ARMORTEC
Erosion Control Solutions
A CORTEC COMPANY

9086 CENTRE PONTE DR., SUITE 400
WEST CHESTER, OHIO 45388
Ph: (513) 646-7000 FAX: (513) 646-7000