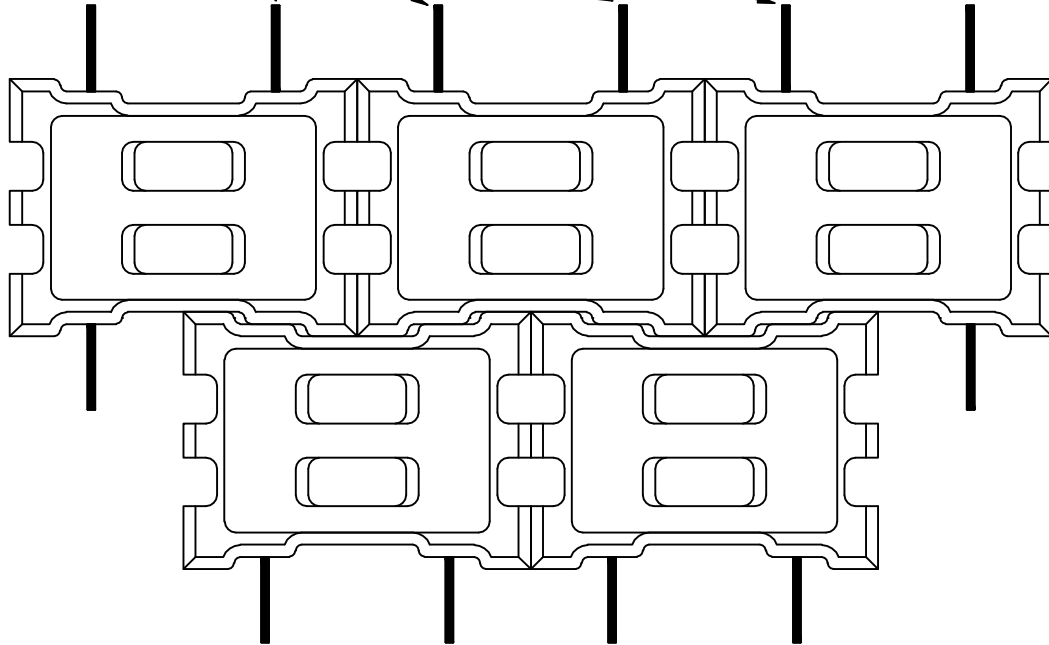
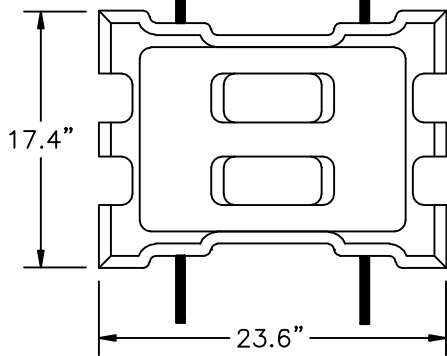


LONGITUDINAL  
CABLES

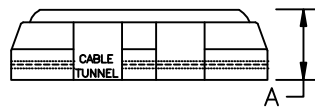


PLAN

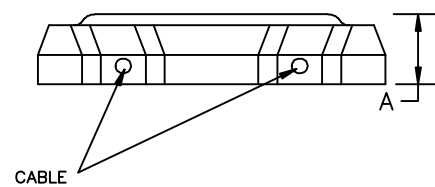
CABLE



TOP VIEW




SIDE VIEW



END VIEW

UNIT THICKNESS "A"	
CLASS L-40	4.75"

<b>DRAWN BY:</b> KWM	<b>CHECKED BY:</b> CBK	<b>DATE:</b> 7/14/07	<b>SCALE:</b> NTS
<b>ARMORFLEX STANDARD DETAIL (Class 40L Dimensions)</b>		 <b>ARMORTEC</b> <i>Erosion Control Solutions</i> <small>A CORTEC COMPANY</small> 9085 CENTRE POINTE DR., SUITE 400 WEST CHESTER, OHIO 45388 PH: (513) 646-7000 FAX: (513) 646-7000	