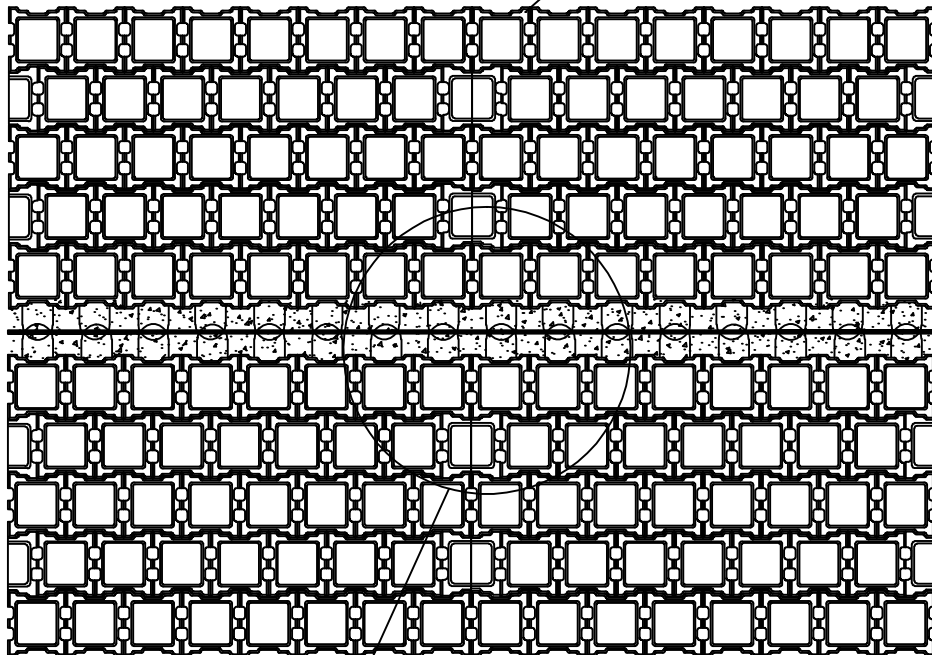
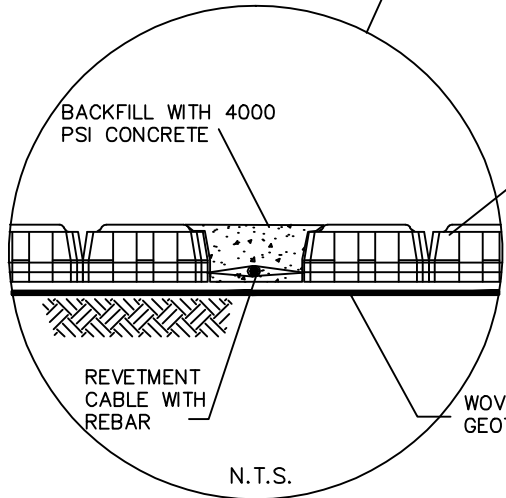


ARMORFLEX S-CLASS  
CLOSED CONCRETE BLOCK



PLAN VIEW  
N.T.S.



BACKFILL WITH 4000  
PSI CONCRETE

ARMORFLEX S-CLASS  
CLOSED CONCRETE BLOCK

REVETMENT  
CABLE WITH  
REBAR

WOVEN  
GEOTEXTILE

N.T.S.

DRAWN BY:	CHECKED BY:	DATE:	SCALE:
KWM	CBK	7/14/07	NTS

**STANDARD DETAIL**  
(Grout Seam w/ Rebar Detail)

**ARMORTEC**  
*Erosion Control Solutions*  
A CORTEC COMPANY  
9085 CENTRE PONTE DR., SUITE 400  
WEST CHESTER, OHIO 45388  
PH: (513) 646-7000 FAX: (513) 646-7000