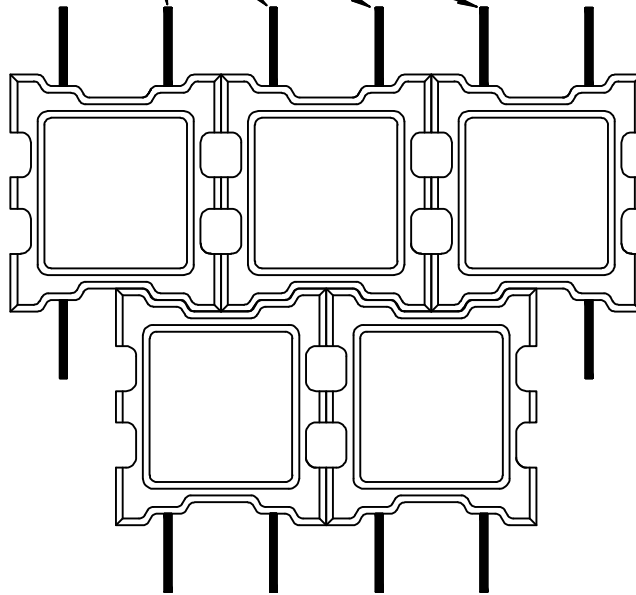
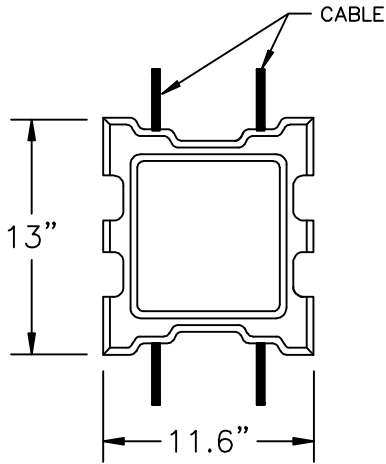


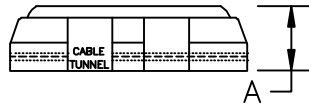
LONGITUDINAL
CABLES



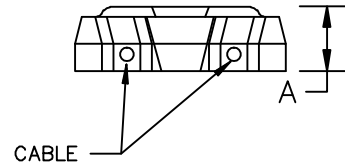
PLAN



TOP VIEW



SIDE VIEW



END VIEW

BLOCK THICKNESS "A"		WEIGHT
CLASS 55S	6.00"	52-58 lbs.

DRAWN BY: KWM	CHECKED BY: CBK	DATE: 7/14/07	SCALE: NTS
-------------------------	---------------------------	-------------------------	----------------------

STANDARD DETAIL
(Class 55S Dimensions)

ARMORTEC
Erosion Control Solutions
A CORTEC COMPANY
9085 CENTRE POINTE DR., SUITE 400
WEST CHESTER, OHIO 45380
PH: (614) 646-7000 FAX: (614) 646-7000