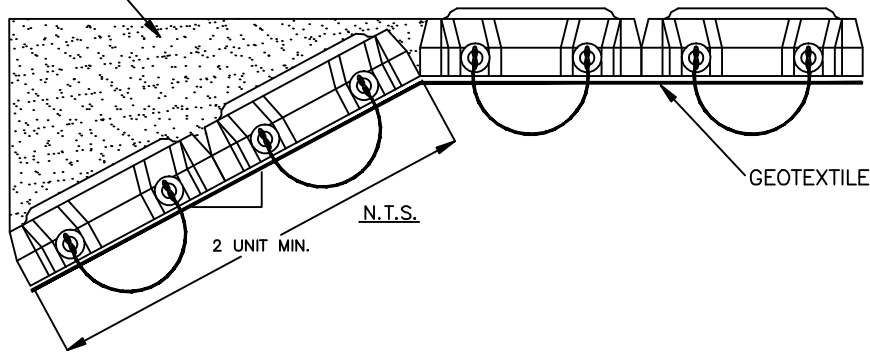


PLAN

**TYPICAL ARMORFLEX MAT**  
(CLOSE CELL SHOWN, OPEN CELL SIMILAR)  
NOT TO SCALE

BACKFILL WITH  
NON-ERODIBLE  
MATERIAL



DRAWN BY:	CHECKED BY:	DATE:	SCALE:
KWM	CBK	7/14/07	NTS

**ARMORFLEX**  
**STANDARD DETAIL**  
(L-Class Closed Cell Flank Detail)

**ARMORTEC**  
*Erosion Control Solutions*  
A CORTEC COMPANY

9085 CENTRE PONTE DR., SUITE 400  
WEST CHESTER, OHIO 45380  
PH: (513) 646-7000 FAX: (513) 646-7000