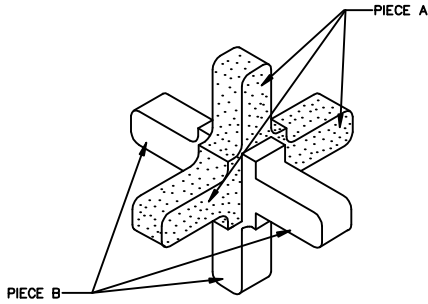
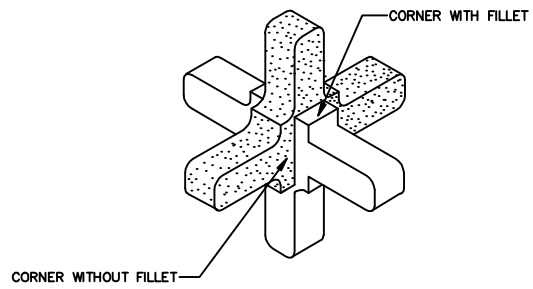


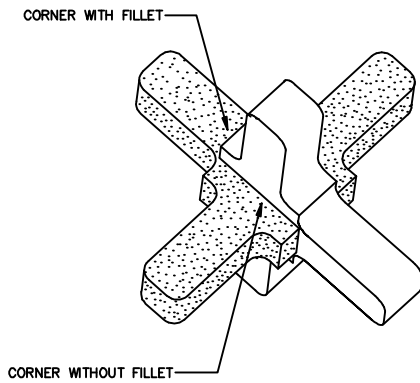
1. IDENTIFY A-Jacks COMPONENTS.



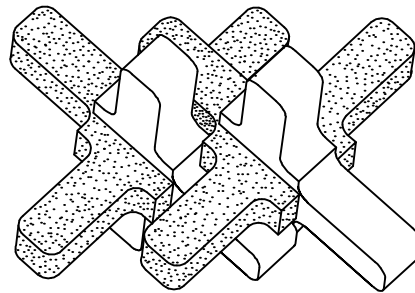
2. IDENTIFY CORNERS WITH AND WITHOUT FILLETS.



3. PROPER ROTATION OF A-Jacks.



4. ALIGN ALL A-Jacks IN SAME DIRECTION.
CORNERS WITHOUT FILLET MUST LINE UP.



DRAWN BY:

KWM

CHECKED BY:

CBK

DATE:

7/21/07

SCALE:

NTS

**A-JACKS
STANDARD DETAIL
(Construction)**


ARMORTEC
Erosion Control Solutions
A CORTEC COMPANY
9085 CENTRE PONTE DR., SUITE 400
WEST CHESTER, OHIO 45388
PH: (513) 646-7000 FAX: (513) 646-7000