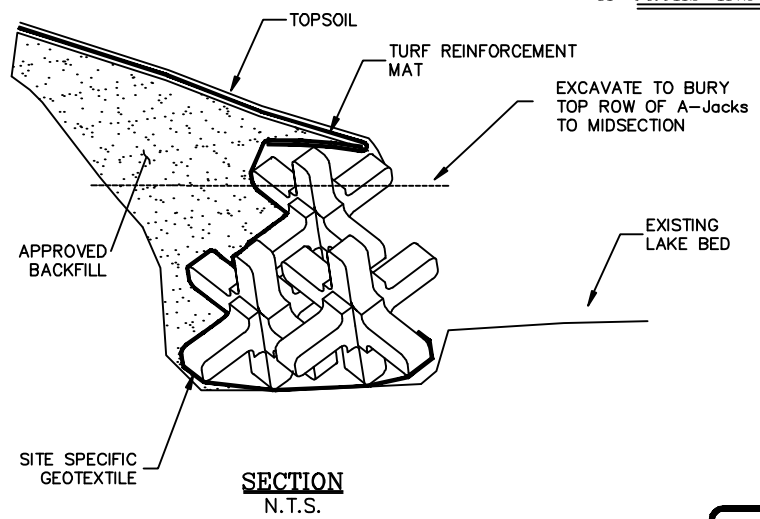


A-Jacks INSTALLATION ON SHORE LINE-PLAN VIEW
NOT TO SCALE



SECTION
N.T.S.

DRAWN BY: KWM	CHECKED BY: CBK	DATE: 7/21/07	SCALE: NTS
-------------------------	---------------------------	-------------------------	----------------------

A-JACKS
STANDARD DETAIL
(2-1 Stack Turf Reinforcement Mat)

ARMORTEC
Erosion Control Solutions
A CORTEC COMPANY
9085 CENTRE POINTE DR., SUITE 400
WEST CHESTER, OHIO 45388
PH: (513) 646-7000 FAX: (513) 646-7000