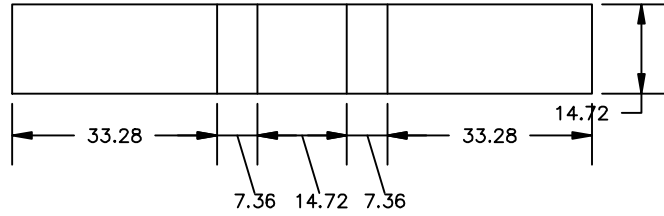
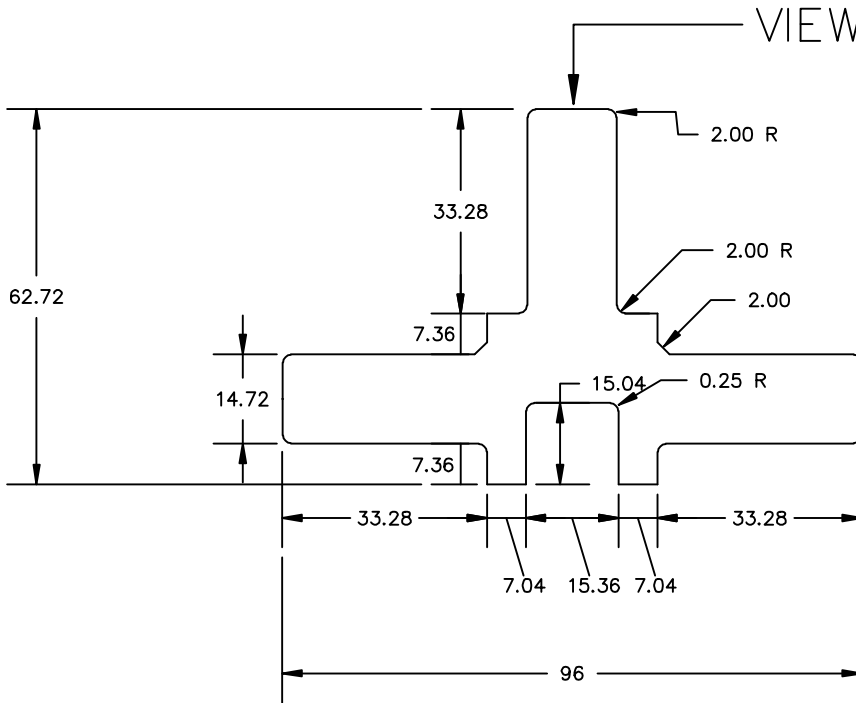


VIEW A



VIEW A



ALL DIMENSIONS IN INCHES

DRAWN BY:	CHECKED BY:	DATE:	SCALE:
KWM	CBK	7/20/07	NTS

**96" A-JACKS
STANDARD DETAIL
(Dimensions)**

ARMORTEC
Erosion Control Solutions
A CORTEC COMPANY
9085 CENTRE POINTE DR., SUITE 400
WEST CHESTER, OHIO 45388
PH: (614) 646-7000 FAX: (614) 646-7000