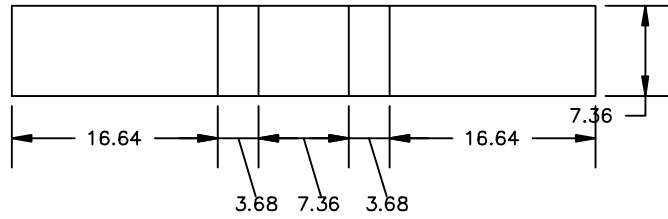
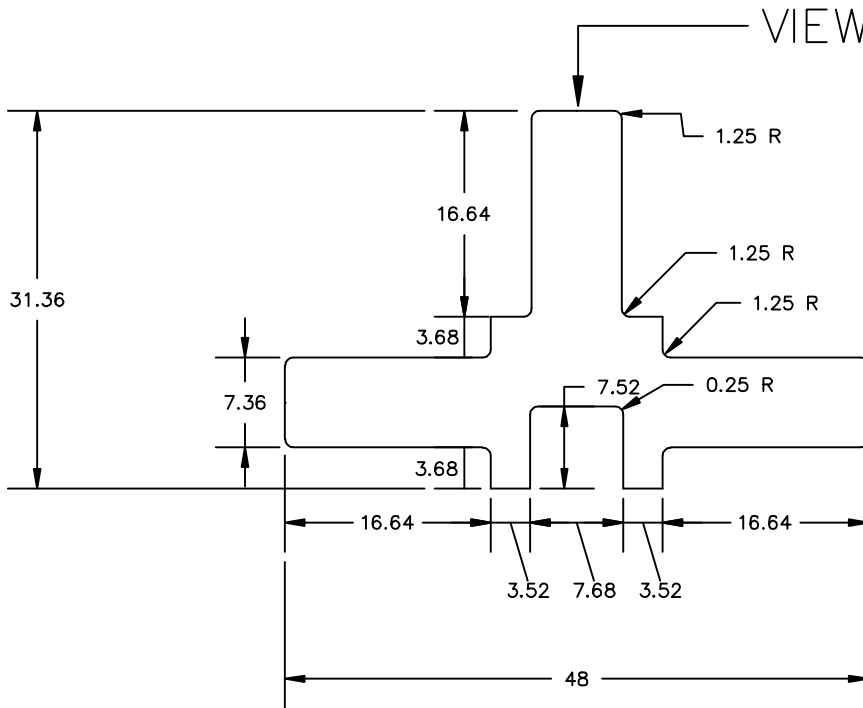


# VIEW A



# VIEW A



ALL DIMENSIONS IN INCHES

DRAWN BY:	CHECKED BY:	DATE:	SCALE:
KWM	CBK	7/20/07	NTS

**48" A-JACKS  
STANDARD DETAIL  
(Dimensions)**

**ARMORTEC**  
Erosion Control Solutions  
A CORTEC COMPANY  
9085 CENTRE POINTE DR., SUITE 400  
WEST CHESTER, OHIO 45380  
PH: (513) 646-7000 FAX: (513) 646-7000